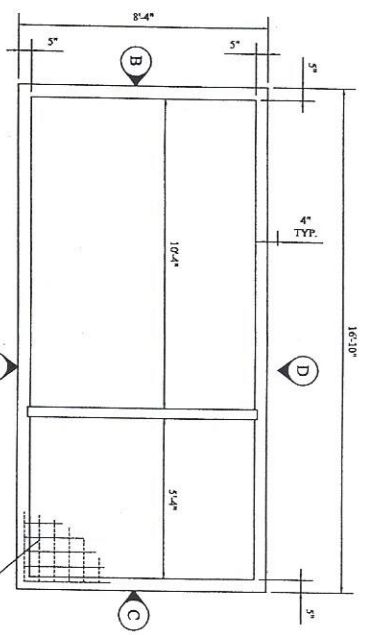


PLAN - TOP SLAB

#6 @ 3" O.C.E.W.
1.5" FROM BOTTOM



PLAN - BOTTOM SLAB

I HEREBY CERTIFY THAT THIS PLAN, SPECIFICATION OR REPORT WAS PREPARED BY ME OR UNDER MY DIRECT PERSONAL SUPERVISION AND THAT I AM A DULY LICENSED PROFESSIONAL ENGINEER UNDER THE LAWS OF THE STATE OF IOWA.

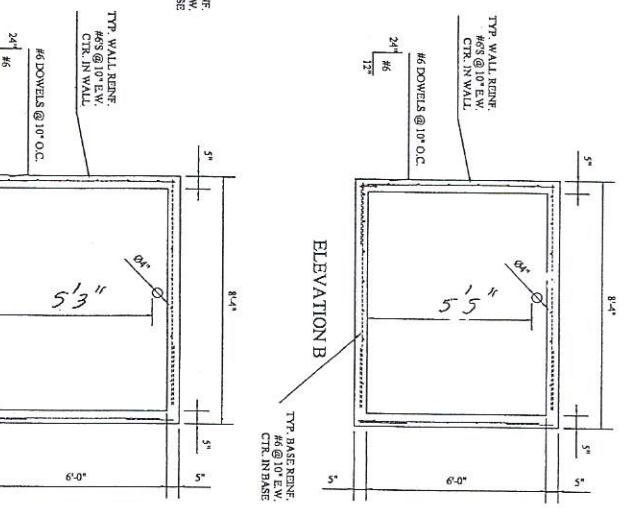
ENG. HORLYK

REG. NO. 17303

DATE: 3/18/2012
 SHEET: 10382

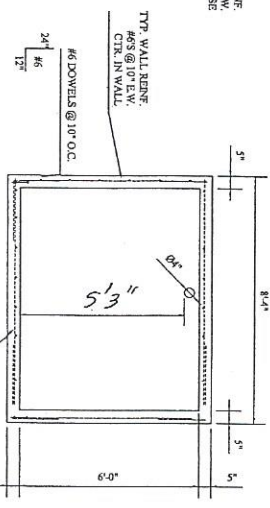


CONCRETE 4000 PSI MIN.
 REINFORCING GRADE 60 KSI
 DESIGNED FOR H20 LOADINGS



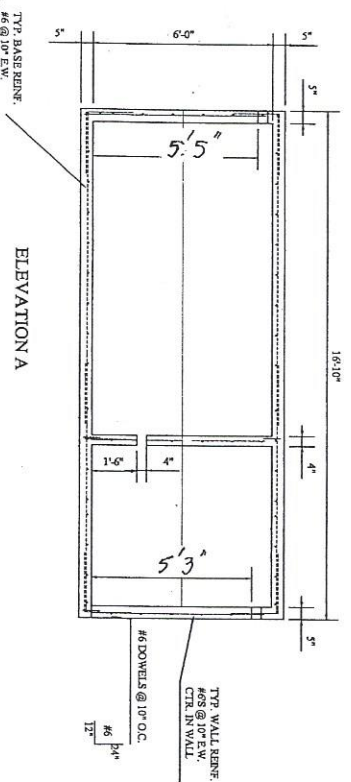
ELEVATION B

TYP. BASE REINFC.
 #6 @ 10" E.W.
 CTR. IN BASE



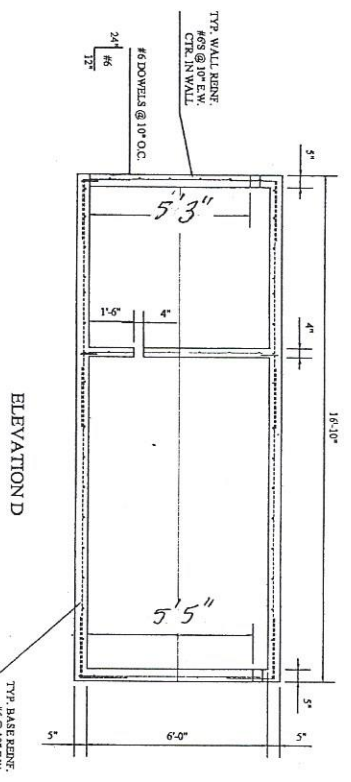
ELEVATION C

TYP. BASE REINFC.
 #6 @ 10" E.W.
 CTR. IN BASE



ELEVATION A

TYP. BASE REINFC.
 #6 @ 10" E.W.
 CTR. IN BASE



ELEVATION D

TYP. BASE REINFC.
 #6 @ 10" E.W.
 CTR. IN BASE

ADVANCED ENGINEERING INC.

LISTER INDUSTRIES

DATE: 3/8/2012

5000 GAL. GREASE TRAP